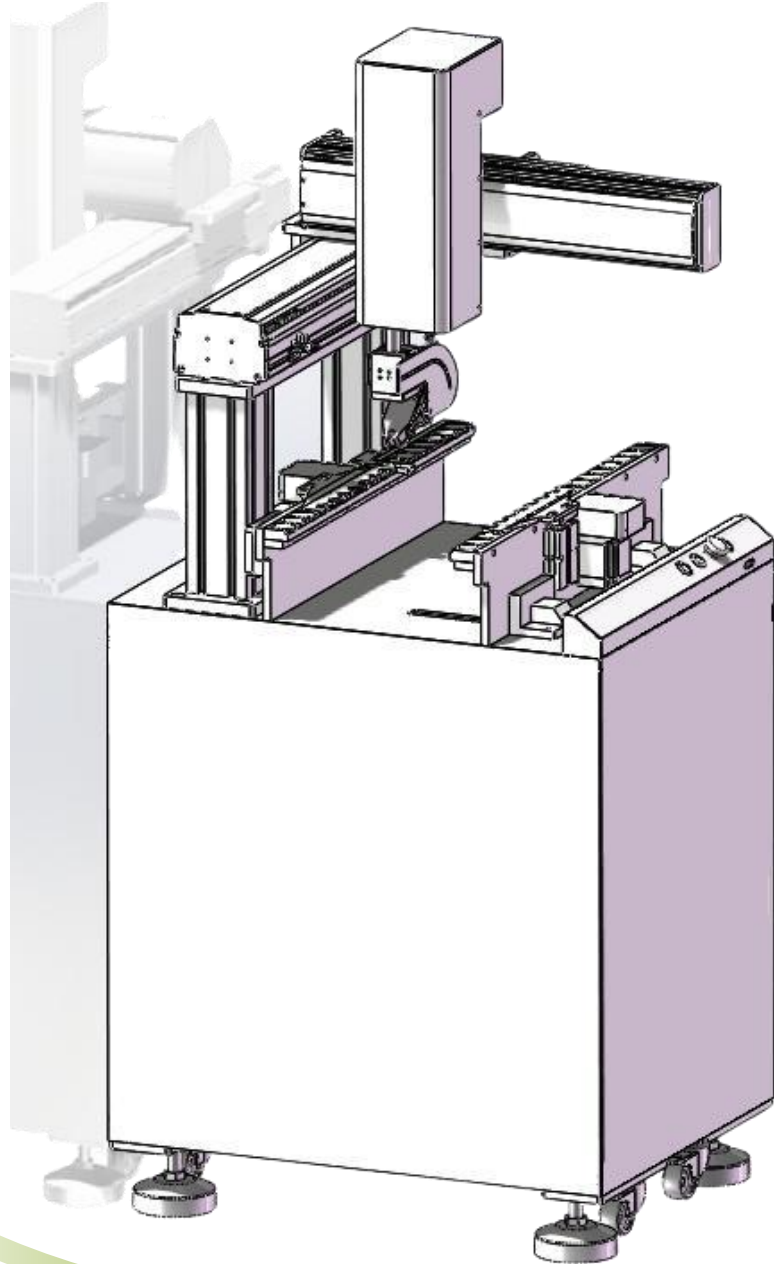
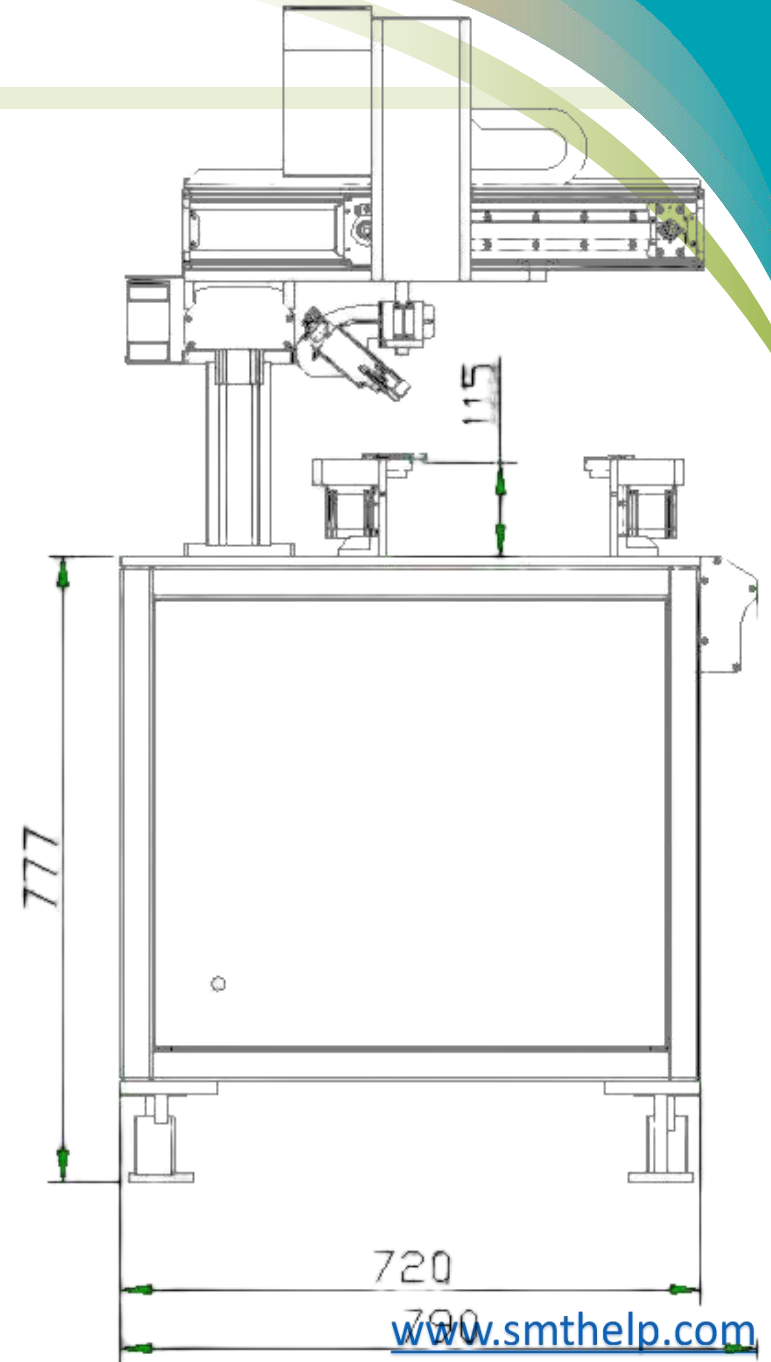
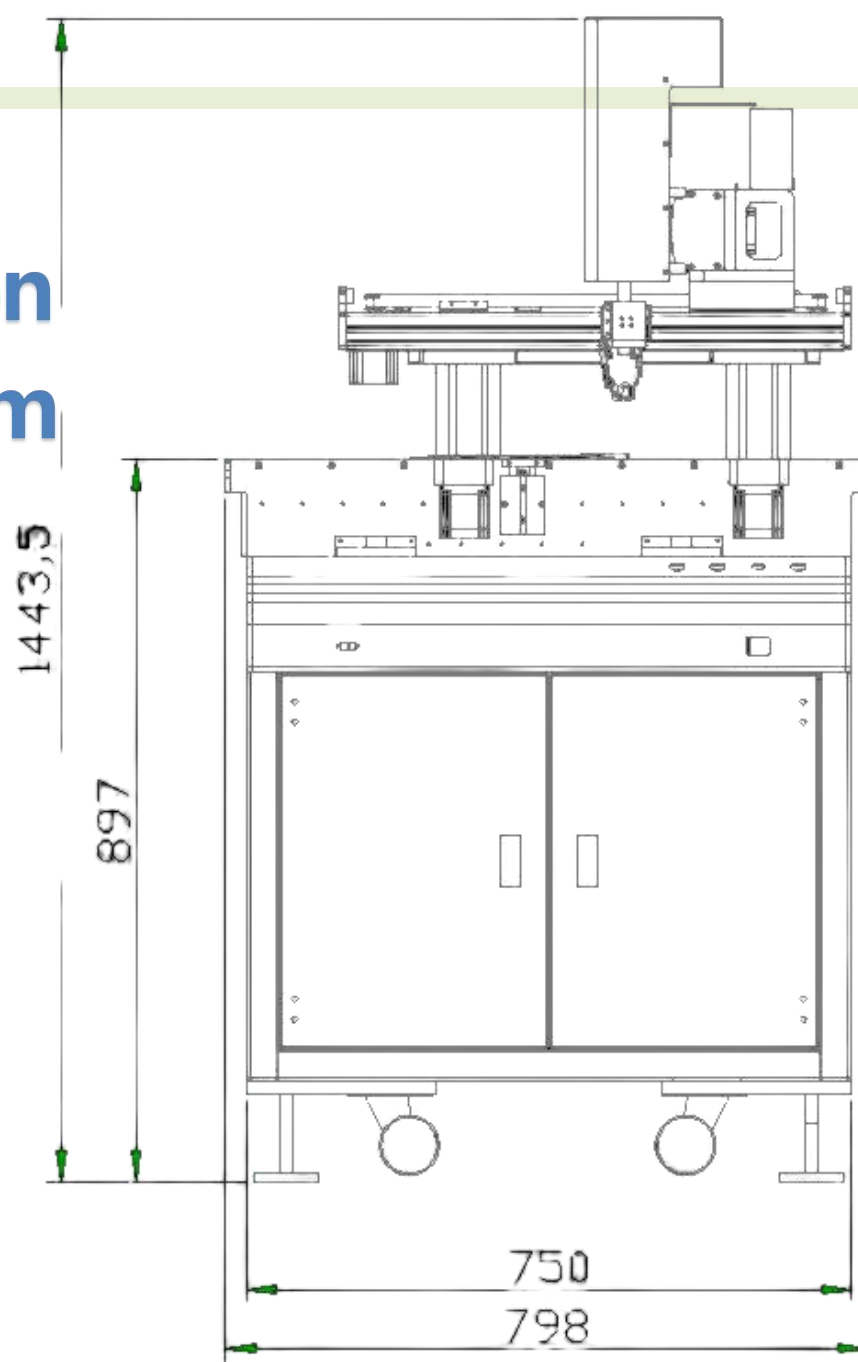
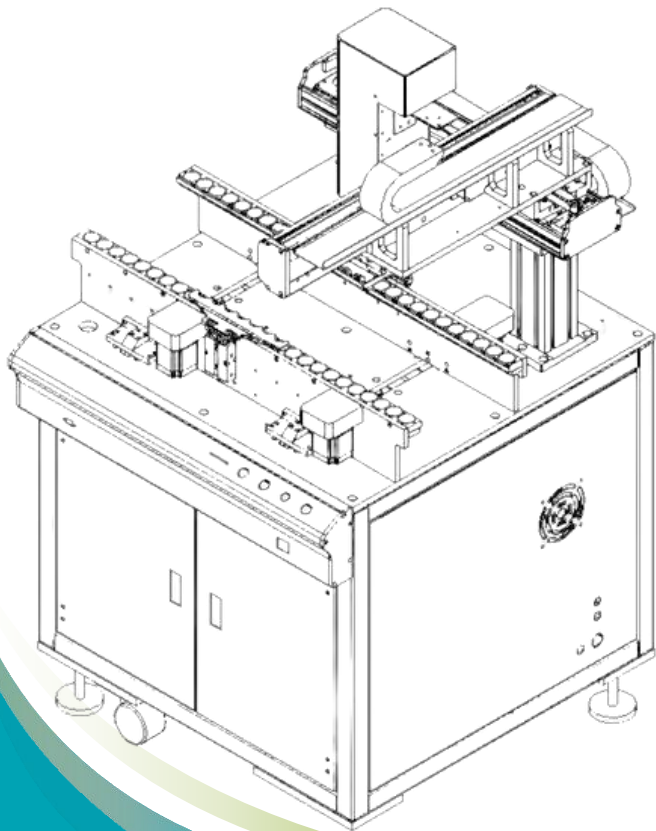
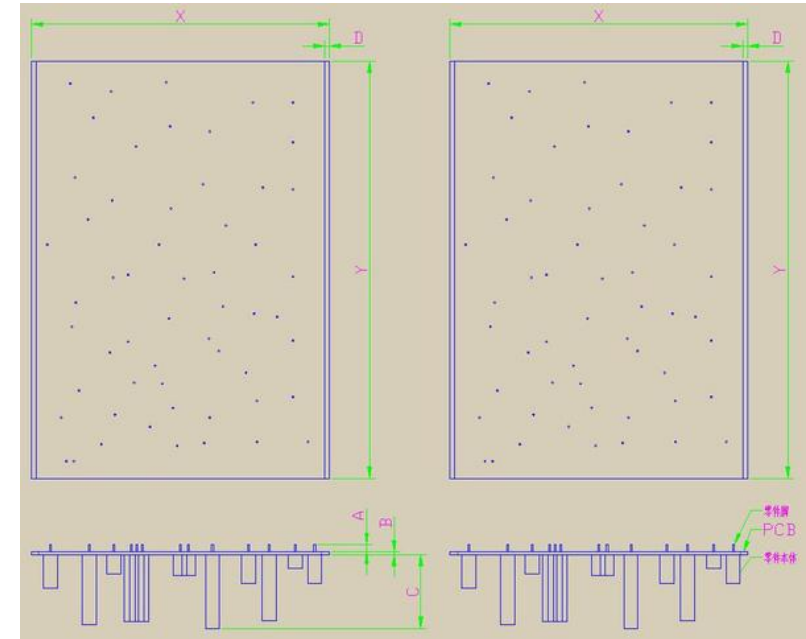
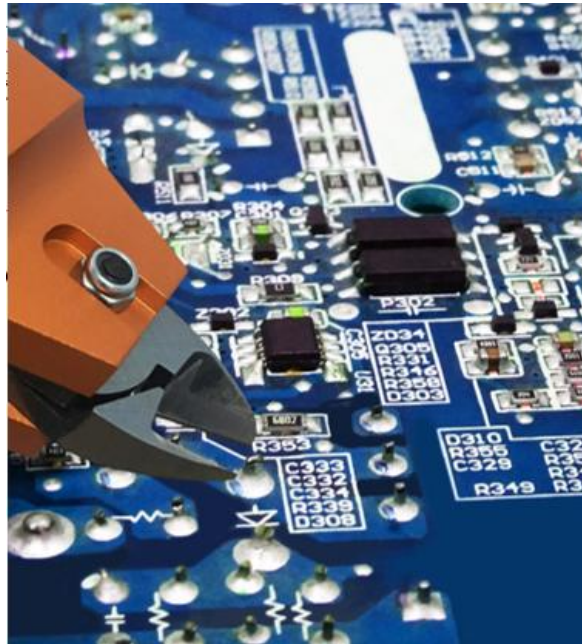
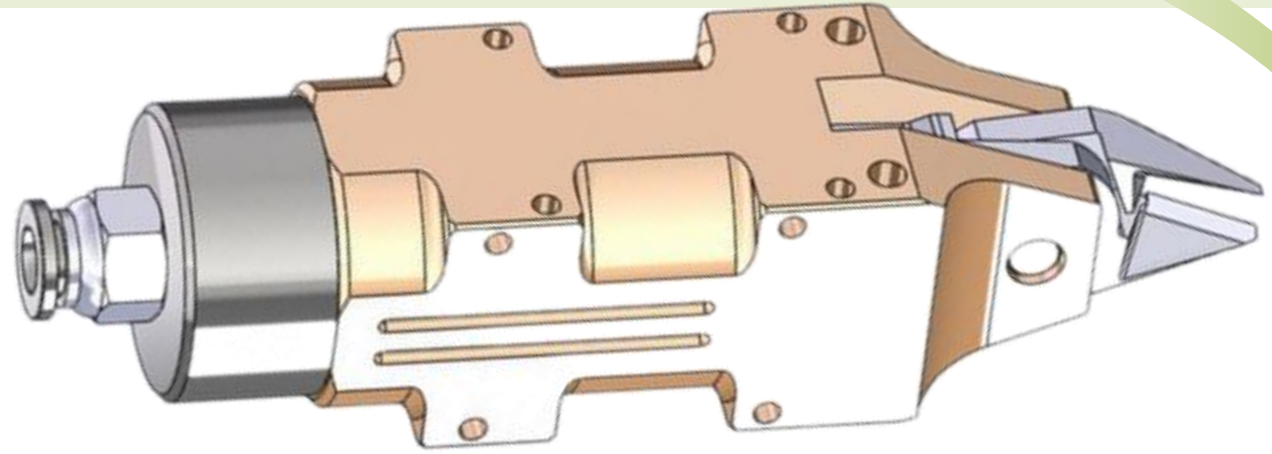


SF320AT Inline Auto Selective Lead Cutter machine



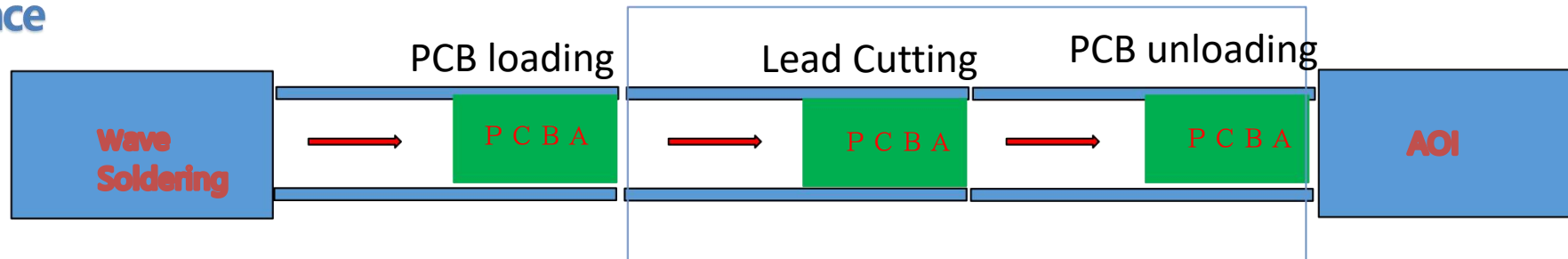
Machine Dimension 790*798*1443.5mm



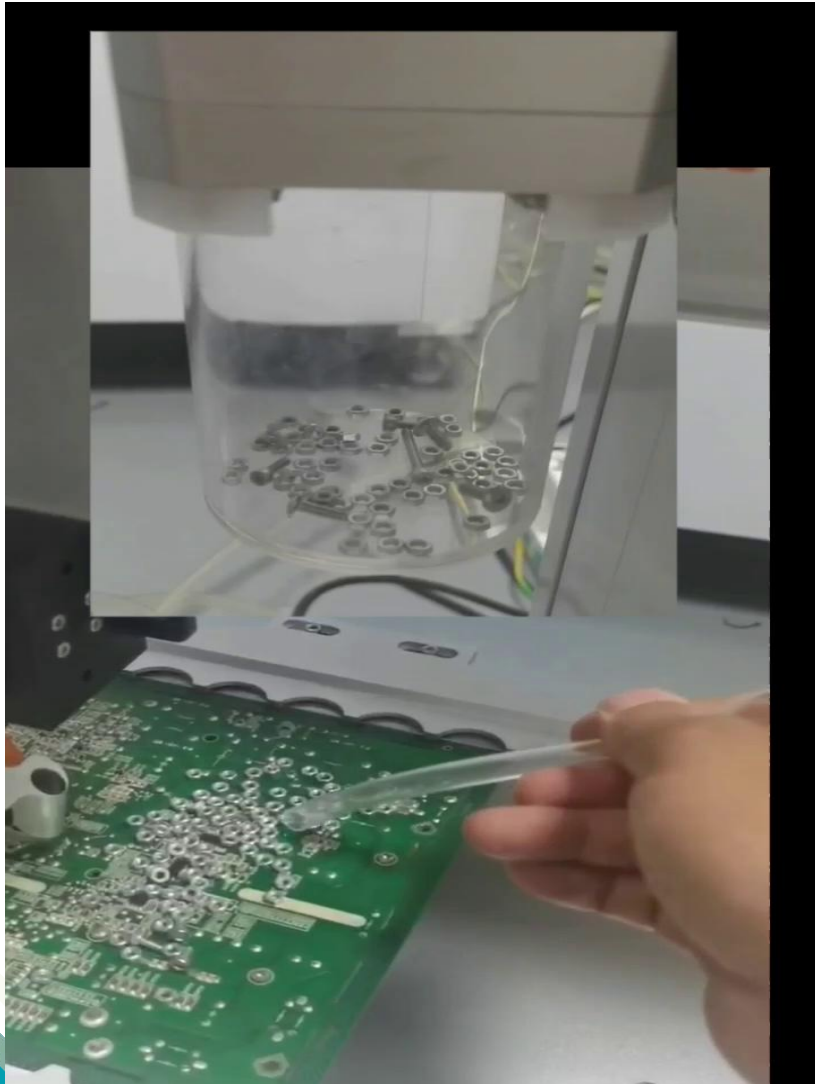
Machine Spec:**PCB Size: 320X250mm****Min PCB Edge: 3mm****Lead Length: 0.5~6mm****Lead Diameter: <1.6mm****Max Component Tall: <110mm**

Features

- Fast cutting speed: 7200 CPH
- High Accuracy: $\pm 0.1\text{mm}$
- High Vacuum scrap lead collection
- PLC & PCI Programming
- Any Angle cutting
- SMEMA Interface



Lead Cutter Vacuum testing



Lead Cutter working



- **7x24 Worldwide Support**
- **Free Installation/ Training**
- **1 day lead-time (spare parts)**
- **1 Month customize solution**



Please visit

www.smthelp.com

Find us more

<https://www.facebook.com/autoinsertion>

Know more our team

<https://cn.linkedin.com/in/smtsupplier>

Welcome to our factory in Shenzhen China

See more machine working video, please Youtube

Auto Insertion

Google

Auto+insertion, to get more information

Looking forward to your email

info@smthelp.com